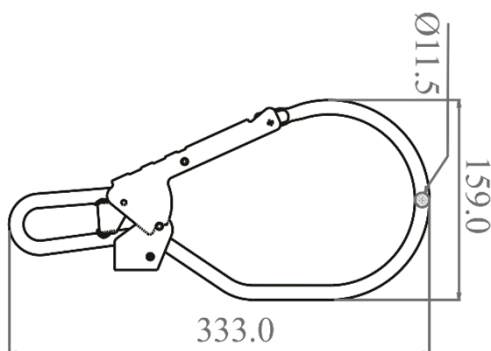




TECHNICAL SHEET FA 50 213 80

STEEL TOWER HOOK



Steel Tower Hook

Opening : 80 mm

Breaking strength : 23 kN

Compliance : EN362 : 2004 Class T

Material of components:

Forged steel

	Weight: 0.84 kg
--	---------------------------

KRATOS SAFETY

689 Chemin du Buclay
38540 Heyrieux – FRANCE

Tel : +33 (0)4 72 48 78 27
Fax : +33 (0)4 72 48 58 32

www.kratossafety.com / info@kratossafety.com

HS CODE

83081010

CARTON SIZE / PCS.

40 x 30 x 24 / 20

AET N°3854 I1E2

Satra Technology Centre, N°0321
Wyndham Way, Telford Way, Kettering
Northamptonshire, NN16 8SD, United Kingdom

ARTICLE 11 GB07/73551

SGS United Kingdom Ltd., N°0120
Unit 202B, Worle Parkway,
Weston-super-Mare, BS22 6WA, United Kingdom